

# Safety double windows sight flow indicator acc. to DIN 3236

# NORIS

## Bauform 885-D

### Application:

The construction guarantees that every single glass plate resists the fully nominal pressure.  
In case of failure of one plate no leakage results.  
To provide fog, the "between-space" can be assembled with a heating unit.

### Operating conditions:

Working pressure: 16 or 25 bar  
Working temperature: 200°C.  
Special gasket for temperatures higher than 200°C on request

### Installation:

Optional; Take care of flow direction

### Options:

Other Materials  
Light fittings  
Spinner or Flap  
Higher temperature

### Materials:

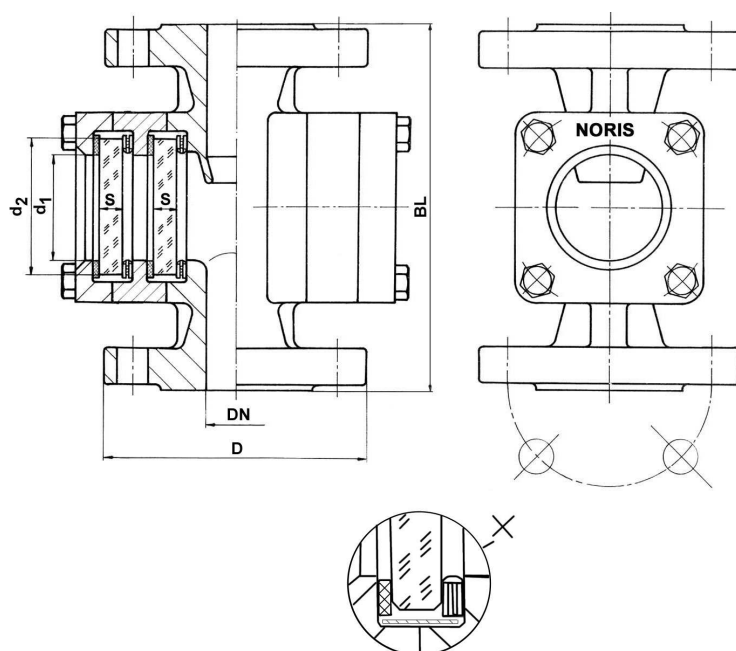
Body	GS-C 25	WN 1.4408
Covers	GS-C 25 / S235JRG2	1.4408 / 1.4571
Screws	5.6 gal.	A4-70
Glass	Borosilicate glass DIN 7080	
Gaskets	PTFE covered	
Cushion gasket	asbestos free	
Protection ply	asbestos free	

### Ordering example:

Sight flow indicator Bauform 885-D  
with double windows  
WN 1.4408; Borosilicate glass  
DN 50, PN 16

**Safety double windows  
sight flow indicator  
in straight line**

**Glass plate** are sealed acc. to **DIN 28121**  
with modern PTFE-covered  
permanently elastic sealing system



### Dimensions

DN	D	BL	d <sub>1</sub>	d <sub>2</sub>	S	
					PN 16	PN 25
15	95	130	32	45	10	10
25	115	160	48	63	10	12
40	150	200	65	80	12	15
50	165	230	80	100	15	20
80	200	310	100	125	20	25
100	220/235	350	125	150	25	30
150	285/300	480	175	200	30	---

Modifications reserved

# NORIS ARMATUREN Burkenstein GmbH & Co. KG

Puscherstrasse 3  
D-90411 Nürnberg

Telefon: +49 (0) 911 / 52 150 63  
Telefax: +49 (0) 911 / 52 24 40

Internet: [Noris-Armaturen.de](http://Noris-Armaturen.de)  
E-Mail: [Noris@Noris-Armaturen.de](mailto:Noris@Noris-Armaturen.de)