

Sight flow indicator

with *O-Ring sealing* for *Vacuum*

NORIS

Bauform 880-V

Application:

Using a sight glass with standard sealing in vacuum mode can lead to leakage.

We recommend:

For medium vacuum rates: PTFE gaskets

For higher vacuum rates: o-ring sealing

Operating conditions:

Working pressure: 16 / 25 / 40 bar

Working temperature: 150°C or 200°C

Installation:

Optional; Take care of flow direction

Options:

Other Materials

Butt weld ends

Sight glass light fittings

Heating jacket

Spinner or flapper

Materials:

Steel GS-C 25 (1.0619 / GP240GH)

Stainless steel WN 1.4408

Body	GS-C 25	1.4408
Cover	GS-C 25 / S235JRG2	1.4408 / 1.4571
Screw	5.6	A4-70
Glass	Borosilicate glass DIN 7080 Soda lime glass DIN 8902	
Gaskets	PDPE or Viton O-ring	

Certificate (Option)

Acc. to EN 10204 - 2.2 or 3.1

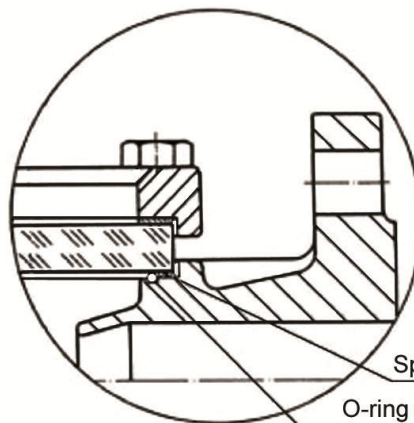
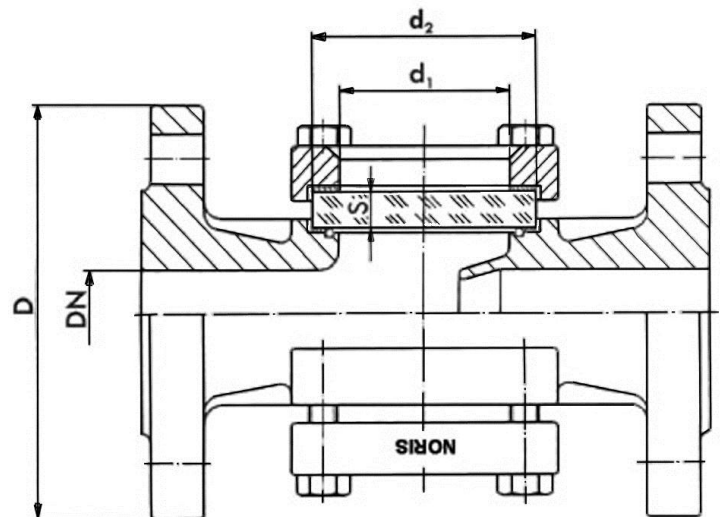
Ordering example:

Sight flow indicator Bauform 880-V

with Viton O-ring sealing

WN 1.4408, Borosilicate glass

DN 50, PN 16



Spacer ring for safeness

O-ring sealing

Modifications reserved

NORIS ARMATUREN Burkenstein GmbH & Co. KG

Puscherstrasse 3
D-90411 Nürnberg

Telefon: +49 (0) 911 / 52 150 63
Telefax: +49 (0) 911 / 52 24 40

Internet: Noris-Armaturen.de
E-Mail: Noris@Noris-Armaturen.de