

# Sight Flow Indicators (straight line) with Flap

with **flanged** connection acc. to **DIN - PN 16 / 25 / 40**

# NORIS

Bauform 880-K

## Application:

The flow indicators are used for optical control of fluids and gases, for horizontal and vertical pipe lines. Also available with internal spinner.

## Operating conditions:

Working pressure: 16 / 25 / 40 bar  
Working temperature: 150°C or 280°C

## Installation:

Horizontal or vertical (flow direction from bottom to top) for constant flow direction

## Options:

with - ANSI-flanges  
with - Butt weld ends  
with - Heating jacket  
with - Sight glass light - fittings

## Materials:

**Cast Iron** GG 25 (EN-GJL-250) max 16 bar  
**Cast Steel** GS-C 25 (1.0619 / GP240GH)  
**Stainless Steel** WN 1.4408

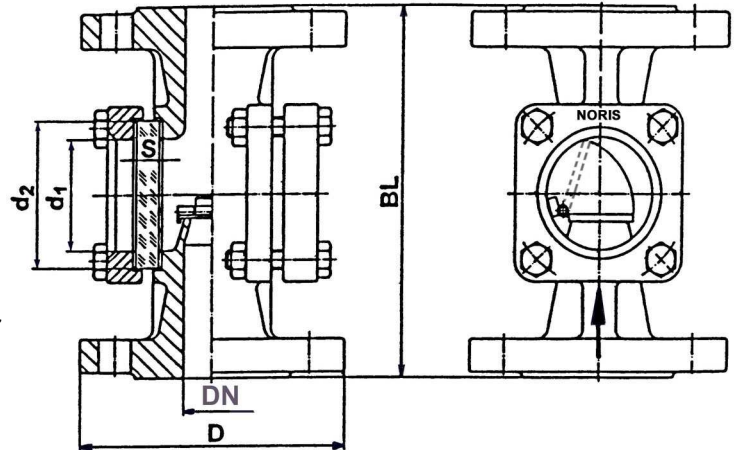
Body	GG 25	GS-C 25	1.4408
Covers	GG 25 / S235JRG2	GS-C 25 / S235JRG2	1.4408 / 1.4301
Screws	4.6 / 5.6 gal.		A4-70
Glass	Borosilicate glass DIN 7080 Soda lime glass DIN 8902		
Gaskets	Graphite, (or other materials)		
Flap	1.4571		

## Certificate: ( Option )

Acc. to EN 10204-2.2 or 3.1

## Ordering example:

Sight Flow Indicators with flap; Bauform 880-K,  
GG 25, borosilicate glass DIN 7080  
DN 50, PN 16



## Dimensions:

DN	D	BL	d <sub>1</sub>	Glass plate			
				d <sub>2</sub>	S		
					PN 16	PN 25	PN 40
15	95	130	32	45	10	10	10
20	105	150	32	45	10	10	10
25	115	160	48	63	10	12	15
32	140	180	48	63	10	12	15
40	150	200	65	80	12	15	20
50	165	230	80	100	15	20	25
65	185	290	80	100	15	20	25
80	200	310	100	125	20	25	30
100	220(235) *	350	125	150	25	30	35
125	250(270) *	400	150	175	25	30	a.A.
150	285(300) *	480	175	200	30 **	35	a.A.
200	340(360/375)*	600	175	200	30 **	35	a.A.

\* D in ( ) acc. to PN 25 / PN 40

\*\* 16 bar only with borosilicate glass possible

Modification reserved

# NORIS ARMATUREN Burkenstein GmbH & Co. KG

Puscherstrasse 3  
D-90411 Nürnberg

Telefon: +49 (0) 911 / 52 150 63  
Telefax: +49 (0) 911 / 52 24 40

Internet: Noris-Armaturen.de  
E-Mail: Noris@Noris-Armaturen.de