

Sprayer

For inside - cleaning the glass top

NORIS

Bauform 198

Application:

The Sprayer is suitable for internal cleaning of the glasses, it's not necessary to develop the glass.

Materials:

Sprayer and pipe: WN 1.4571 / 1.4404

Insert in:

Round Sight glass fitting acc. to DIN 28120
see NORIS Bauform 120

Round Sight glass fitting acc. to DIN 28121
see NORIS Bauform 121-I

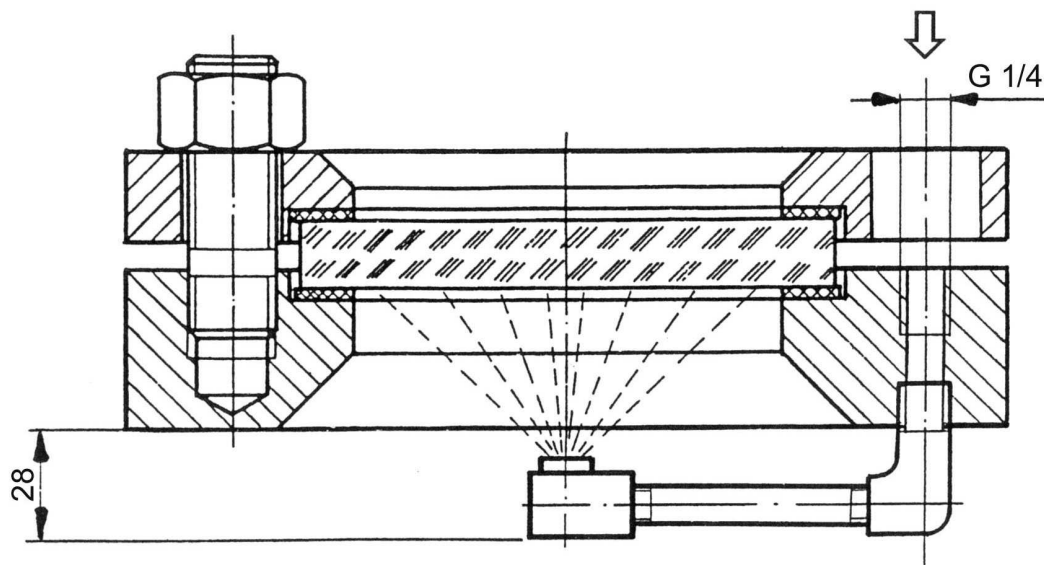
Sight flow indicator see NORIS Bauform 880-I

Information:

The Sprayer will be mounted by ourself during the assembly



Connector for Sprayer



Modifications reserved

NORIS ARMATUREN Burkenstein GmbH & Co. KG

Puscherstrasse 3
D-90411 Nürnberg

Telefon: +49 (0) 911 / 52 150 63
Telefax: +49 (0) 911 / 52 24 40

Internet: Noris-Armaturen.de
E-Mail: Noris@Noris-Armaturen.de