

Window wiper for sideward mounting
for pressure tight up to 16 bar

NORIS

Bauform 195

Application:

Additionally to our Bauform 190 we offer the sideward used Bauform 195. He is very useful for cleaning the inside surfaces of sight glasses mounted in pressure or vacuum vessels.

Operating conditions:

1. Pressure tight up to 16 bar / 200°C
2. Solid for vacuum
3. Temperature range depends on material of glass and wiper blades

Installation:

We use pressure and vacuum sealed parts for the pass through parts.
We realise from DN 100 – DN 200.

Materials:

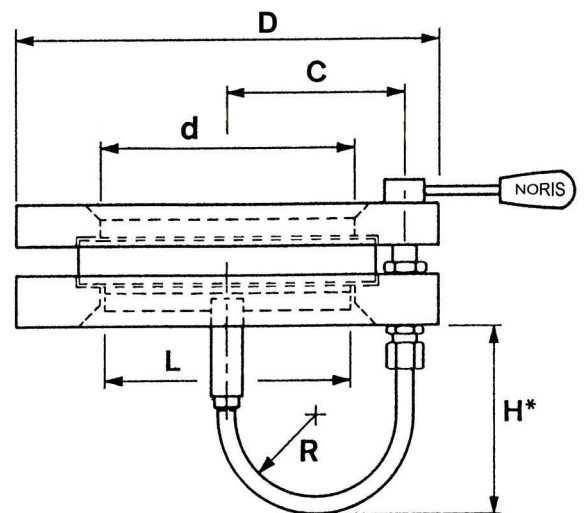
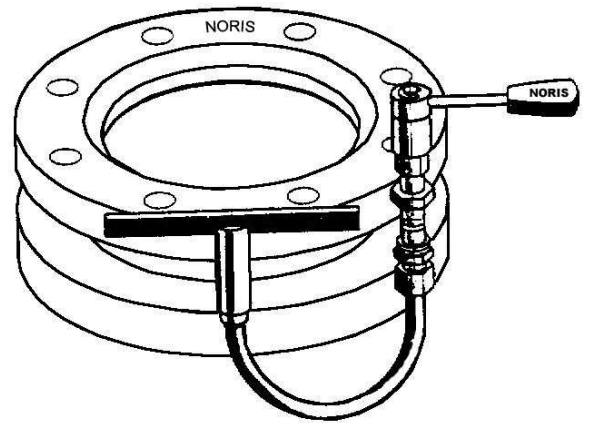
Wiper blade	PTFE or Silicon
Wiper mechanism	WN 1.4571 (medium touched parts)

Possible combinations:

- NORIS-wiper system can be combined with
1. Sight glass light fittings of different production series
 2. NORIS-spray device Bauform 198

Available:

Complete sight glass with mounted wiper or:
Kit for fix up existing sight glasses.



Dimension:

DN	d	D	C	R	H max.	L
100	125	220	93	36,5	110	120
125	150	250	105	42,5	110	148
150	175	285	120	50	130	172
200	225	340	147,5	64	130	222

Modifications reserved

NORIS ARMATUREN Burkenstein GmbH & Co. KG

Puscherstrasse 3
D-90411 Nürnberg

Telefon: +49 (0) 911 / 52 150 63
Telefax: +49 (0) 911 / 52 24 40

Internet: Noris-Armaturen.de
E-Mail: Noris@Noris-Armaturen.de