

Strainer, Y - type

with *pipe - thread* connection

NORIS

Bauform 141

Application:

Preferably installed in front of measuring instruments, control valves, pumps and sensitive systems.

Operating conditions:

Nominal pressure : max. 40 bar
Nominal Temp.: max. 240°C

Installation:

Optional; Take care of flow direction

Options:

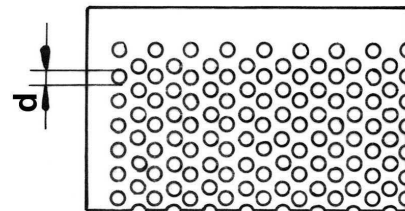
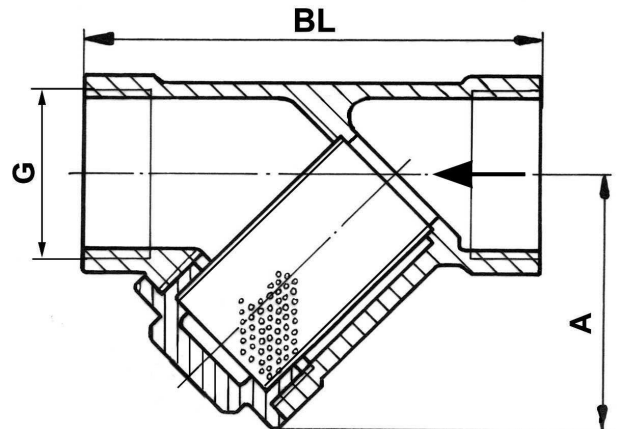
Double screen in WN 1.4571

Materials:

Body	WN 1.4408
Covers	WN 1.4408
Screen	WN 1.4571
Gasket	PTFE

Ordering example:

Strainer, Y-type Bauform 141
Stainless steel
G 3/4"



Dimension:

G	BL	A	d
1/2"	61	42	1,0
3/4"	70	43	
1"	86	52	
1 1/4"	100	59	
1 1/2"	111	70	
2"	138	85	

Modification reserved

NORIS ARMATUREN Burkenstein GmbH & Co. KG

Puscherstrasse 3
D-90411 Nürnberg

Telefon: +49 (0) 911 / 52 150 63
Telefax: +49 (0) 911 / 52 24 40

Internet: Noris-Armaturen.de
E-Mail: Noris@Noris-Armaturen.de