

# Screwed sight glass fitting

(screwed pipe connections similar. to DIN 11851)

# NORIS

## Bauform 127

### Application:

Sight port for viewing into vessels, containers and pipelines. Particularly suitable for creameries, food, breweries, beverage industry, pharmaceutical- and medical technology.

### Operating conditions:

Working pressure: 6 bar  
 Working temperature: 220°C  
 Vacuum

### Options:

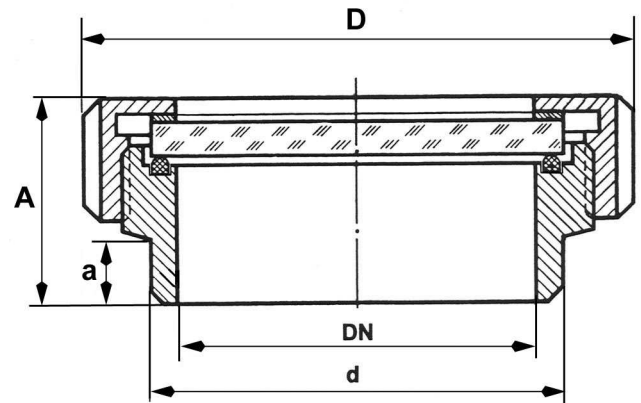
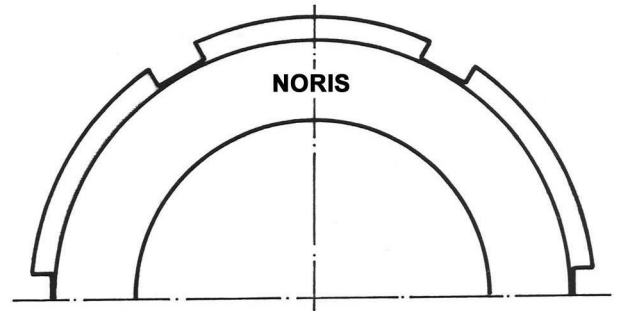
Light fittings  
 Wiper  
 Higher pressure

### Materials:

Butt weld pipe end	WN 1.4404 or 1.4301
Slotted cover nut	WN 1.4301
Glass	Borosilicate glass DIN 7080 Soda lime glass DIN 8902
Gasket	Silicone / Viton / EPDM / PTFE
Protection ply	Asbestos free

### Ordering example:

Screwed sight glass fitting NORIS Bauform 127  
 WN 1.4301; Borosilicate glass;  
 Gasket silicone  
 DN 50



### Dimensions

DN	a	A	d	D
50	18	46	55	92
65	22	49	72	112
80	23	54	87	127
100	32	65	106	148
125	20	60	132	178

Modifications reserved

# NORIS ARMATUREN Burkenstein GmbH & Co. KG

Puscherstrasse 3  
 D-90411 Nürnberg

Telefon: +49 (0) 911 / 52 150 63  
 Telefax: +49 (0) 911 / 52 24 40

Internet: [Noris-Armaturen.de](http://Noris-Armaturen.de)  
 E-Mail: [Noris@Noris-Armaturen.de](mailto:Noris@Noris-Armaturen.de)