

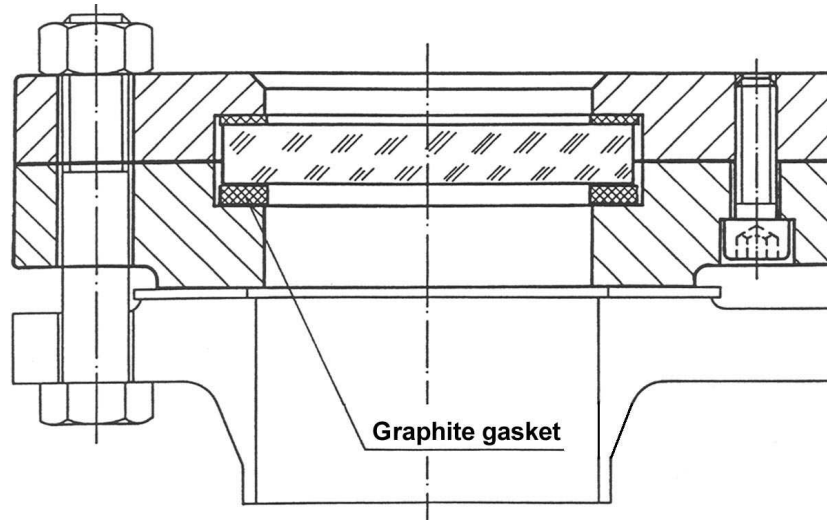
**Sight glass fittings** circular  
acc. to DIN 28121 special construction  
for temperatures **higher than 200°C** or **Vacuum**

# NORIS

Bauform 121-H

**Version I.) Graphite gasket for temperatures higher than 200°C**

Borosilicate glass up to max. 280°C.  
Quartz glass up to 1000°C  
Dimension acc. to DIN 28121

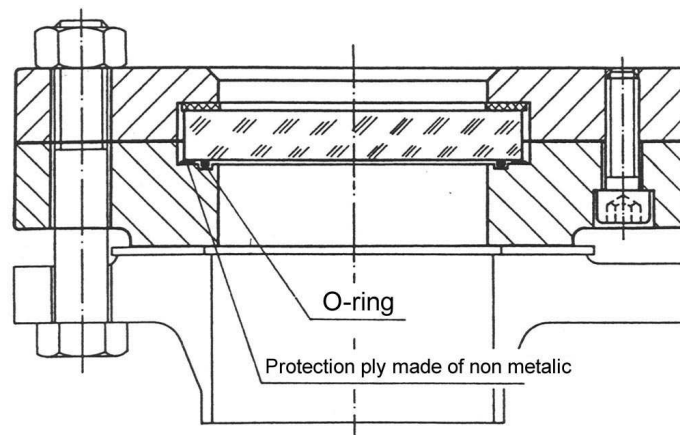


Standard type acc. To DIN 28121 is limited for 200°C.  
For higher temperatures we offer same type with pure graphite sealings.  
Available: - all pipe diameter  
- all nominal pressure  
- all materials

Bauform 121-V

**Version II.) O-Ring-gasket for Vacuum**

Borosilicate glass up to max. 280°C.  
Suitable for higher vacuum



Modifications reserved

# NORIS ARMATUREN Burkenstein GmbH & Co. KG

Puscherstrasse 3  
D-90411 Nürnberg

Telefon: +49 (0) 911 / 52 150 63  
Telefax: +49 (0) 911 / 52 24 40

Internet: [Noris-Armaturen.de](http://Noris-Armaturen.de)  
E-Mail: [Noris@Noris-Armaturen.de](mailto:Noris@Noris-Armaturen.de)