

Sight Glass Fittings, circular
 similar to **DIN 28121**
 to be **mounted** to existing **ANSI** flanges 150 LBS

NORIS

Bauform 121-A

Application:

For observation and lightning the inside of closed containers (boilers, tanks, silos a.s.o). Fitting will be delivered totally mounted and must only be screwed on an existent flange.

ANSI - Design

Operating conditions:

Working pressure: 10 bar
 Working temperature: 200°C

Options:

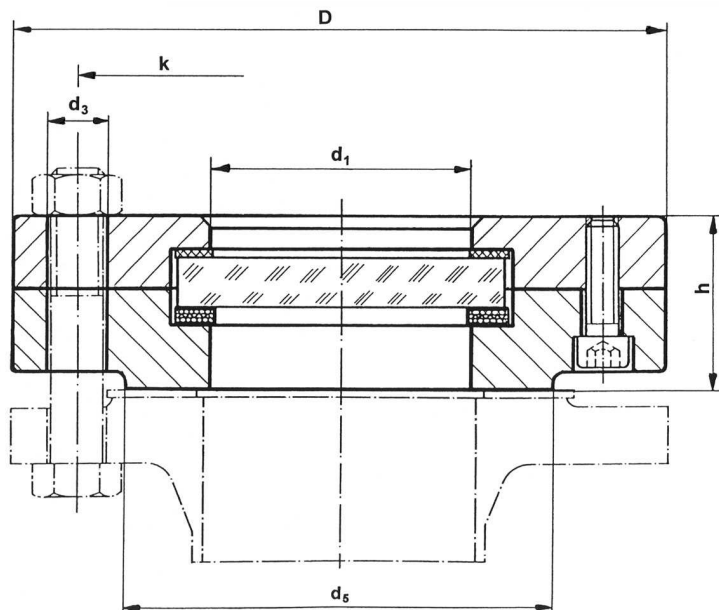
Special design for more than 200°C
 Higher pressures
 300 or 600 lbs
 Safety double windows
 Sight glass light fittings
 Base-flange lined

Materials:

Base and Cover flanges	Steel / Stainless Steel 1.4571 or different materials
Glass	Borosilicate glass acc. to DIN 7080
Gasket	PTFE enveloped gasket (up to 200°C)

Certificate: (Option)

Acc. to EN 10204-2.2 or
 Acc. to EN 10204-3.1



Dimension

ANSI	bar	D	d ₁	d ₅	k	h	d ₃
1 1/2"	10	127,0	48	73,0	88,9	36	4 x Ø 16
2"	10	152,4	65	92,1	120,6	38	4 x Ø 19
3"	10	190,5	80	127,0	152,4	46	4 x Ø 19
4"	10	228,6	100	157,2	190,5	46	8 x Ø 19
5"	10	254,0	125	185,7	215,9	54	8 x Ø 22,2
6"	10	279,4	125	215,9	241,3	54	8 x Ø 22,2
8"	10	342,9	150	269,7	298,5	54	8 x Ø 22,2

Modification reserved

NORIS ARMATUREN Burkenstein GmbH & Co. KG

Puscherstrasse 3
 D-90411 Nürnberg

Telefon: +49 (0) 911 / 52 150 63
 Telefax: +49 (0) 911 / 52 24 40

Internet: Noris-Armaturen.de
 E-Mail: Noris@Noris-Armaturen.de