

Sight Glass Fittings, circular,
acc. to **DIN 28120**
to be **welded** directly to tank

NORIS

Bauform 120

Application:

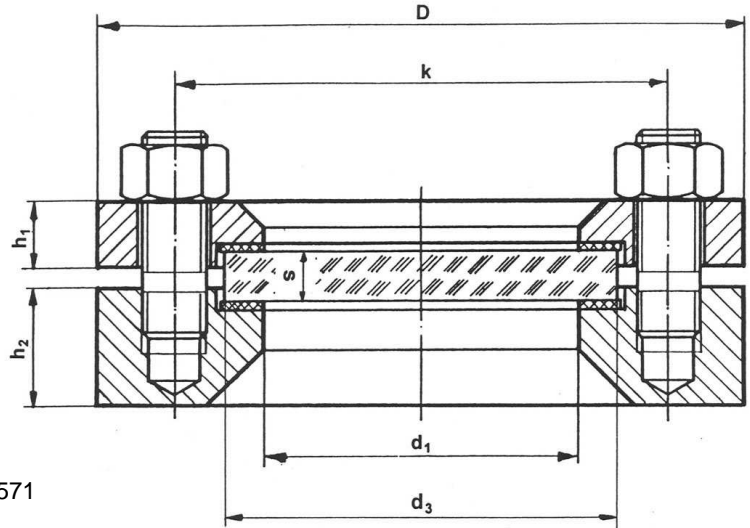
For observation and lightning the inside of closed containers
(boilers, tanks, silos a.s.o)

Operating conditions:

Working pressure: 10 or 16 bar
Working temperature: 150°C or 280°C

Options:

Sight Glass wiper Bauform 190 + 195
Spray washer Bauform 198
Safety double windows Bauform 126 + 120-D
Sight glass light fittings
Lined, Type B, acc. to DIN 28120
With O-ring-sealing (for vacuum)
Special design acc. to customer



Materials:

Base- and coverflange	RSt 37-2, H II, C 22.8, 1.4541, 1.4571 or on request
Glass	Soda lime glass acc. to DIN 8902 Borosilicate glass acc. to DIN 7080
Gaskets	Kingersil or on request
Screws/Nuts	Steel 5.6 gal. / A2-70 / A4-70

Delivery includes:

Complete fitting, consisting of base and cover flange,
glass plate, gaskets and screws with nuts

Certificate: (Option)

Acc. to EN 10204-2.2 or
Acc. to EN 10204-3.1

Dimensions:

DN	PN	d ₁	d ₃	s	D	k	h ₁	h ₂	Screws
25	10	48	63	10	115	85	16	25	4 x M 12
	16								
40	10	65	80	12	150	110	16	30	4 x M 16
	16								
50	10	80	100	15	165	125	16	30	4 x M 16
	16								
80	10	100	125	15	200	160	20	30	8 x M 16
	16			20					
	25								
100	10	125	150	20	220	180	22	30	8 x M 16
	16			25					
	25								
125	10	150	175	20	250	210	25	30	8 x M 16
	16			25					
	25								
150	10	175	200	25	285	240	30	36	8 x M 20
	16			30					
	30								
200	10	225	250	30	340	295	35	36	8 x M 20



Modification reserved

NORIS ARMATUREN Burkenstein GmbH & Co. KG

Puscherstrasse 3
D-90411 Nürnberg

Telefon: +49 (0) 911 / 52 150 63
Telefax: +49 (0) 911 / 52 24 40

Internet: Noris-Armaturen.de
E-Mail: Noris@Noris-Armaturen.de