

Sight Glass Fittings, circular PN 2,5

to be **welded** directly to tank

NORIS

Bauform 118

Application:

For observation and lightning the inside of closed containers (boilers, tanks, silos a.s.o)

Operating conditions:

Working pressure: 2,5 bar
Working temperature: 150°C or 280°C

Options:

Sight Glass wiper Bauform 190
Safety double Windows Bauform 126
Sight Glass light Fittings
With O-ring-sealing (for vacuum)
Special design acc. to customer

Materials:

Base flange	RSt 37-2, H II, WN 1.4541, WN 1.4571
Cover flange	RSt 37-2, H II, WN 1.4541, WN 1.4571
Screws	5. 6 galv., A2-70, A4-70
Glass	Borosilicate glass acc. to DIN 7080 Soda lime glass acc. to DIN 8902
Gasket	asbestos free (or other materials)

Certificate: (Option)

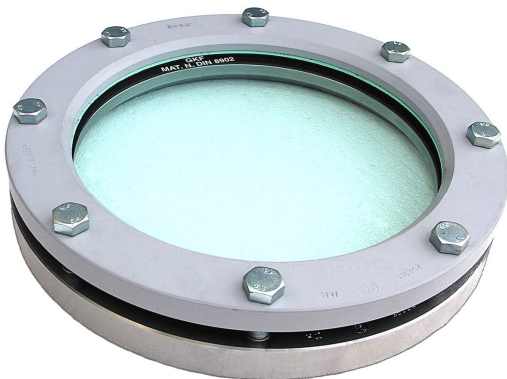
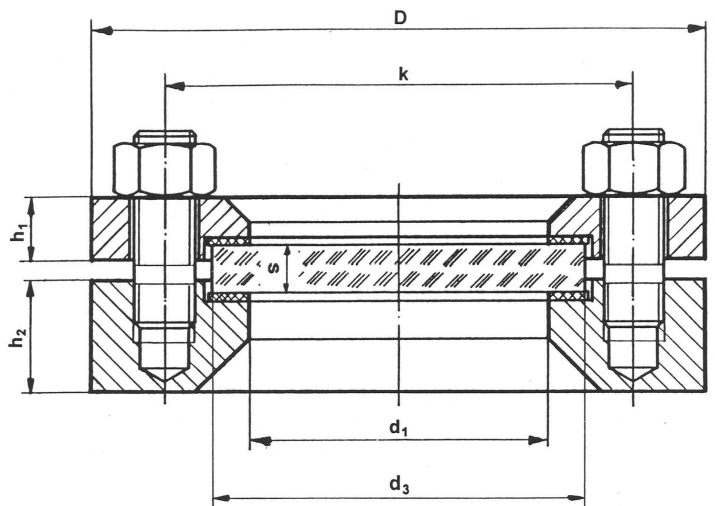
Acc. to EN 10204-3.1

Delivery includes:

Complete fitting, consisting of base and cover flange, glass plate, sealings and screws

Following DIN 28120

For low pressure
up to 2,5 bar



Dimensions:

DN	d ₁	d ₃	s	D	k	h ₁	h ₂	Screws
50	80	100	10	150	125	12	24	4 x M12
80	100	125	15	175	150	14	24	4 x M12
100	125	150	15	200	175	14	24	4 x M12
125	150	175	15	220	195	16	24	8 x M12
150	175	200	15	250	220	16	24	8 x M12
200	225	250	19	300	275	16	24	8 x M12

Modification reserved

NORIS ARMATUREN Burkenstein GmbH & Co. KG

Puscherstrasse 3
D-90411 Nürnberg

Telefon: +49 (0) 911 / 52 150 63
Telefax: +49 (0) 911 / 52 24 40

Internet: Noris-Armaturen.de
E-Mail: Noris@Noris-Armaturen.de