

Sight glass - Tubular type

with Safety Seal-System, acc. to DIN 28121

NORIS

Bauform 25-A

Application:

Sight glass - Tubular type with **ANSI**-flanges on both sides, to use in either horizontal or vertical pipe lines for optical control of fluids and gasses.

Operating conditions:

Connection: ANSI-flanges 150 lbs
 Pressure: up to ANSI 2" - 6 bar max
 ANSI 5" and up - 4 bar max
 Temperature: 200°C max.

Installation:

Optional

Special designs:

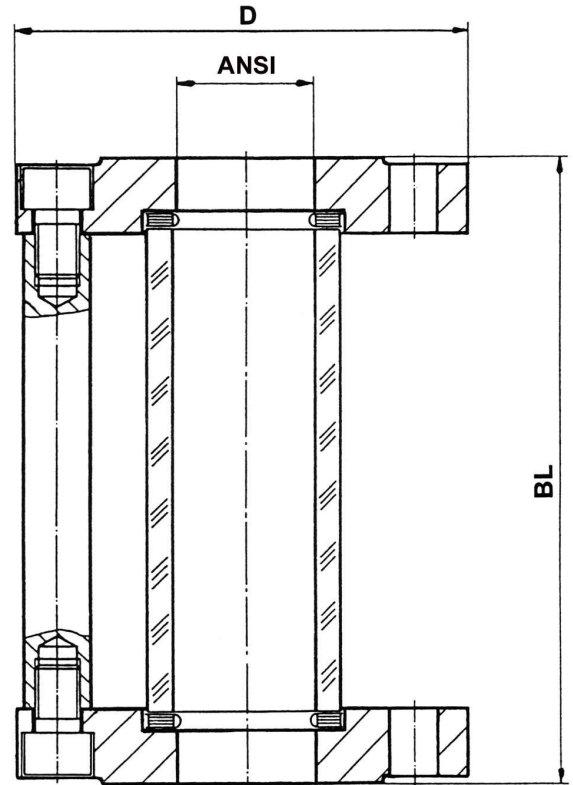
Protection jacket of acrylic glass
 Extra length

Materials:

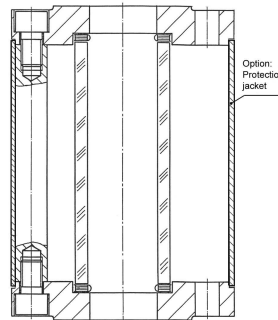
Flanges	WN 1.4571	Steel / H II
Distance-Bars	WN 1.4571	Steel
Screws	A4-70	Steel
Glass tube	Borosilicate glass (DURAN)	
Gaskets	PTFE covered	

Ordering example:

Sight Glass - Tubular Type Bauform 25-A
 WN 1.4571
 ANSI 2" 150 lbs; 6 bar max.



Standard design



Option: Protection jacket

Dimensions:

ANSI	D	BL
1"	108	160
1 1/2"	127	200
2"	152	230
3"	190	310
4"	228	350
5"	254	400
6"	279	480

Mounting instructions:

Sight glass tubular type must be mounted without tension by tube, vibrations and pressure pushes.

Modification reserved

NORIS ARMATUREN Burkenstein GmbH & Co. KG

Puscherstrasse 3
 D-90411 Nürnberg

Telefon: +49 (0) 911 / 52 150 63
 Telefax: +49 (0) 911 / 52 24 40

Internet: Noris-Armaturen.de
 E-Mail: Noris@Noris-Armaturen.de