

Hydraulic Clamp Nut

Oil coupling system

NORIS

Series N31

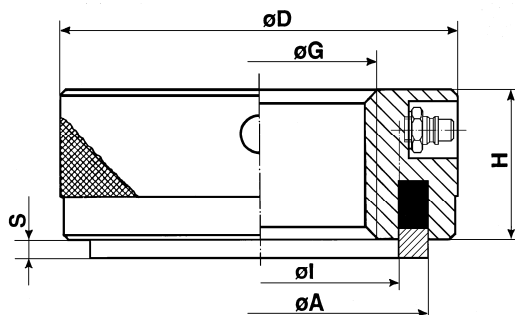
Features of series

**Radial connected
oil pump**

**Medium remains into
the pump system**



The pressure is based by the connection with the oil pump.
The internal medium will flow into the circular groove and raise the ring piston.
Pressure rate is shown precisely at the pressure gauge.
Relieve the system results in pressure decrease inside the connected pump.
After relieve you have to turn the nut to the opposite direction .
The Medium flows back to the oil pump.



Clamping range
4 mm
6 mm
10 mm

Thread $\varnothing G_{max.}$	Ring piston		Outer Diameter $\varnothing D$	Height H	Clamping Force in kN Pump with max.working pressure		Part No Clamping range S
	$\varnothing A$	$\varnothing I$			400 bar	700 bar	
							4 mm
170	222	202	300	65	260	460	131.04.170
200	272	240	344	57	510	900	132.04.130
300	360	320	410	70	859	1490	132.04.285
							6 mm
190	260	230	70	70	460	810	131.06.190
350	425	385	75	75	1020	1780	131.06.350
							10 mm
150	215	185	260	85	370	660	131.10.150
270	310	290	375	70	370	660	131.10.270

Against corrosion our hydraulic clamp nuts are protected with a brown finish.
The standard sealing systems are suitable for temperatures up to 80°.
The ring piston is locked against drop out.

Special design (for example Material - Aluminium hartcoatiert) on request

NORIS

ARMATUREN BURKENSTEIN GMBH & CO. KG
- ABTEILUNG SPANNELEMENTE -

D-90411 Nürnberg
Puscherstraße 3

Telefon: + 49 (0) 911/ 52 15 06 3
Telefax: + 49 (0) 911/ 52 24 40

E-Mail: noris@noris-armaturen.de
Internet: www.noris-armaturen.de