

**Circular sight glass fittings** acc. to DIN 28121  
with **Wiper** to be mounted of existent flanges

# NORIS

Bauform 121-W

### Application:

The sight glass fittings complies DIN 28121 respectively NORIS Bauform 121.

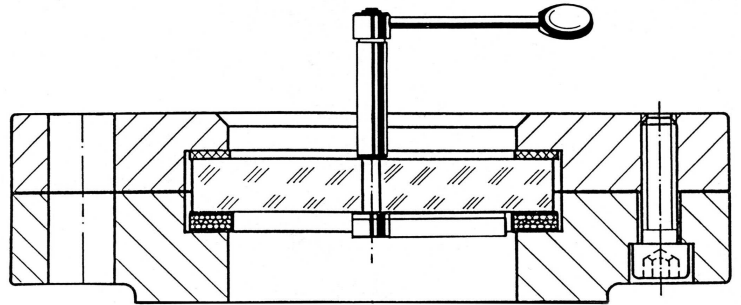
For internal cleaning a wiper completely acc. to Bauform 190 is mounted

Two types of blades are available:

- a) Silikone up to 180°C, for liquid medias
- b) PTFE up to 200°C, for solid medias

Standard wiper is a one armed tape

Double armed wipers also available



**Available sizes:** DN 40 up to DN 200

max. permissible working pressure by agreements

Dimensions of NORIS-fittings see our Bauform 121



Modifications reserved

# NORIS ARMATUREN Burkenstein GmbH & Co. KG

Puscherstrasse 3  
D-90411 Nürnberg

Telefon: +49 (0) 911 / 52 150 63  
Telefax: +49 (0) 911 / 52 24 40

Internet: [Noris-Armaturen.de](http://Noris-Armaturen.de)  
E-Mail: [Noris@Noris-Armaturen.de](mailto:Noris@Noris-Armaturen.de)