

Sight flow indicator

Special design with *Spray Washer*

NORIS

Bauform 880-I

Application:

Inside surface of the glass can be cleaned inside with the built-in spray head. There is a choice of two spray heads for both glass plates. For the cleaning medium the spray head connection is leaded to outside between the flanges which hold the glass plates.

Material:

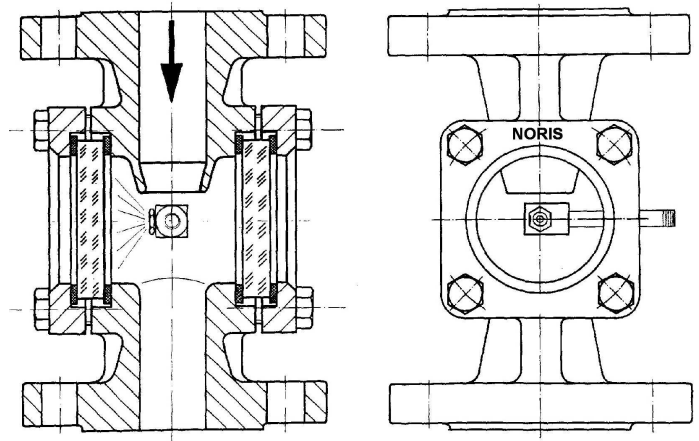
Steel	GS-C 25 (1.0619)
Stainless steel	WN 1.4408

Standard version:

One spray head for one side
Spray head in stainless steel
Spray connection: Tube G ¼" with male thread

Special version:

Two spray heads, for both glass plates
Other spray connection: e.g. V-flanges



Modification reserved

NORIS ARMATUREN Burkenstein GmbH & Co. KG

Puscherstrasse 3
D-90411 Nürnberg

Telefon: +49 (0) 911 / 52 150 63
Telefax: +49 (0) 911 / 52 24 40

Internet: Noris-Armaturen.de
E-Mail: Noris@Noris-Armaturen.de